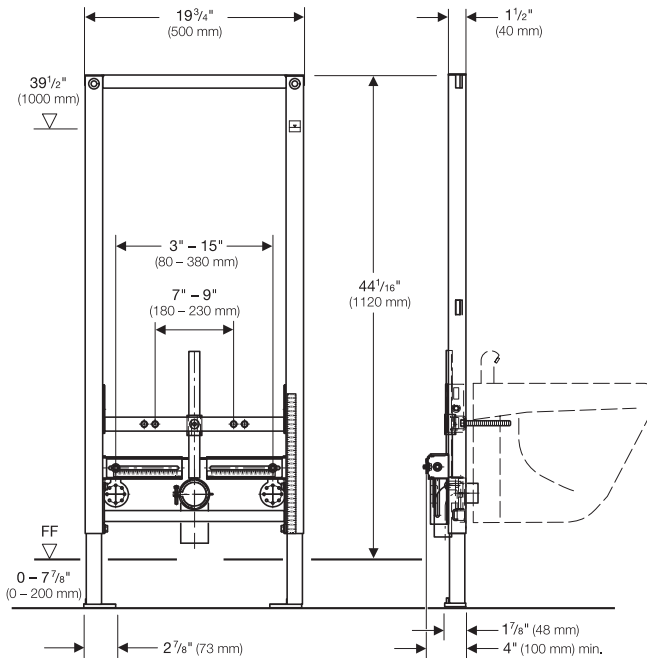


# Concealed Carrier System for Wall-Hung Bidets

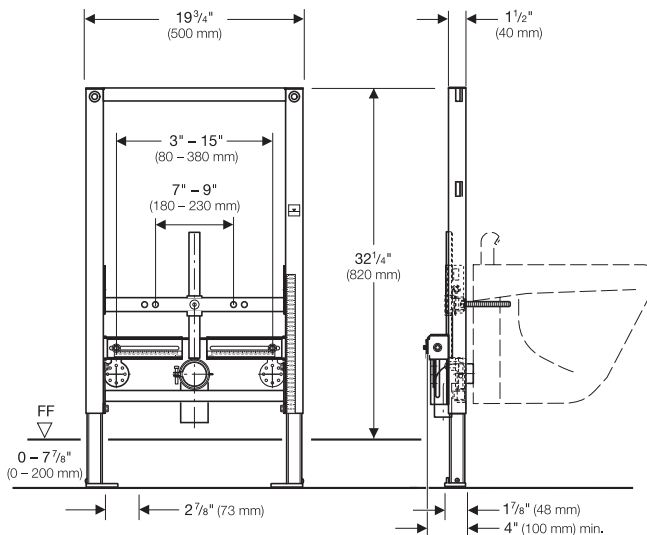


Model 111.520.00.1 and 111.524.00.1

Model  
111.520.00.1



Model  
111.524.00.1



## Product Specifications

Concealed carrier system for residential wall-hung bidets. System shall fit within 5 1/2" (140 mm) framing wall or plumbing chase. Framing members should provide support similar to 2" x 6" (51 mm x 152 mm) wood construction or steel framing members placed 19 3/4" (500 mm) apart. The bidet bowl shall be a third party listed 2-hole wall-hung type. The carrier frame shall be adjustable for bowl rim heights from 15" (381 mm) to 19" (483 mm). All components shall be compliant with applicable codes and product standards.

## Warranty

Limited lifetime warranty on carrier.

## Features

- 16-gauge, powder-coated, structural-steel tubing rated to 880 lbs (400 kg) without damage to finished wall or carrier unit
- Fixture rim height adjustments from 15" (381 mm) to 19" (483 mm)
- Frame height:  
111.520.00.1 = 44 1/16" (1120 mm)  
111.524.00.1 = 32 1/4" (820 mm)
- Installation hardware included.

## ARCHITECT/ENGINEER APPROVAL

Job Name	
_____	
Date	Quantity
_____	_____
Model Specified	
_____	
Variations Specified	
_____	
Customer/Wholesaler	
_____	
Contractor	
_____	
Architect	
_____	

Product specifications subject to change without notice.



Geberit  
2100 S. Clearwater Drive  
Des Plaines, IL 60018

800/566-2100  
Fax 847/803-5454  
www.geberit.us