

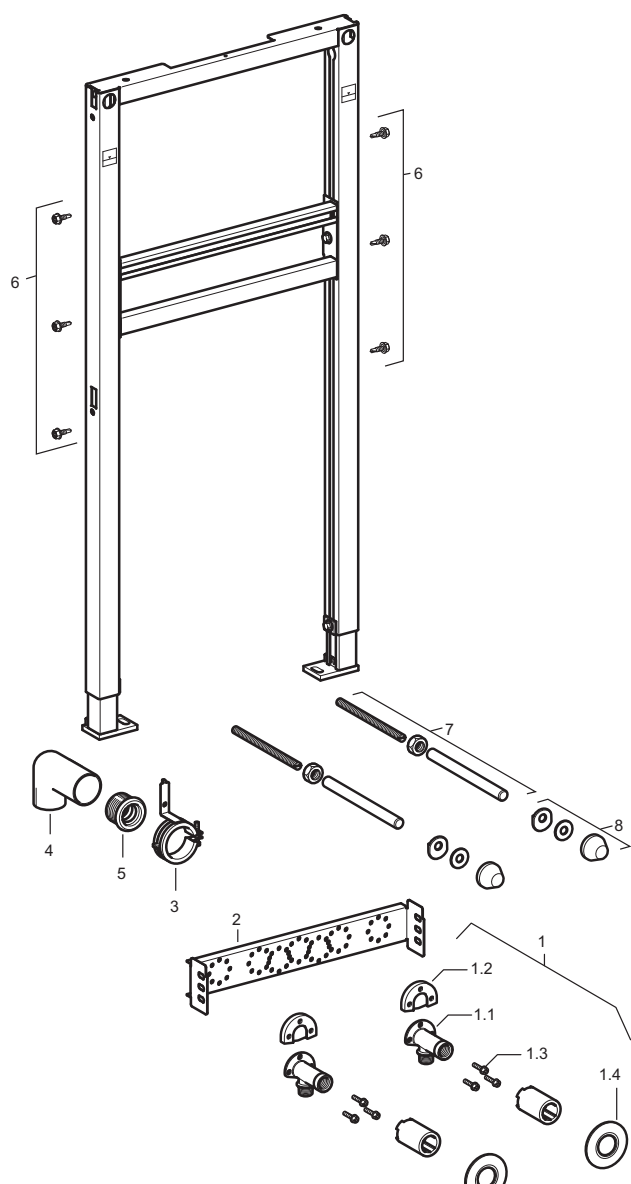
# Wall-Hung Lavatory Carriers

Replacement Parts for Wall-Hung Lavatory Carriers 111.434.00.1 and 111.490.00.1

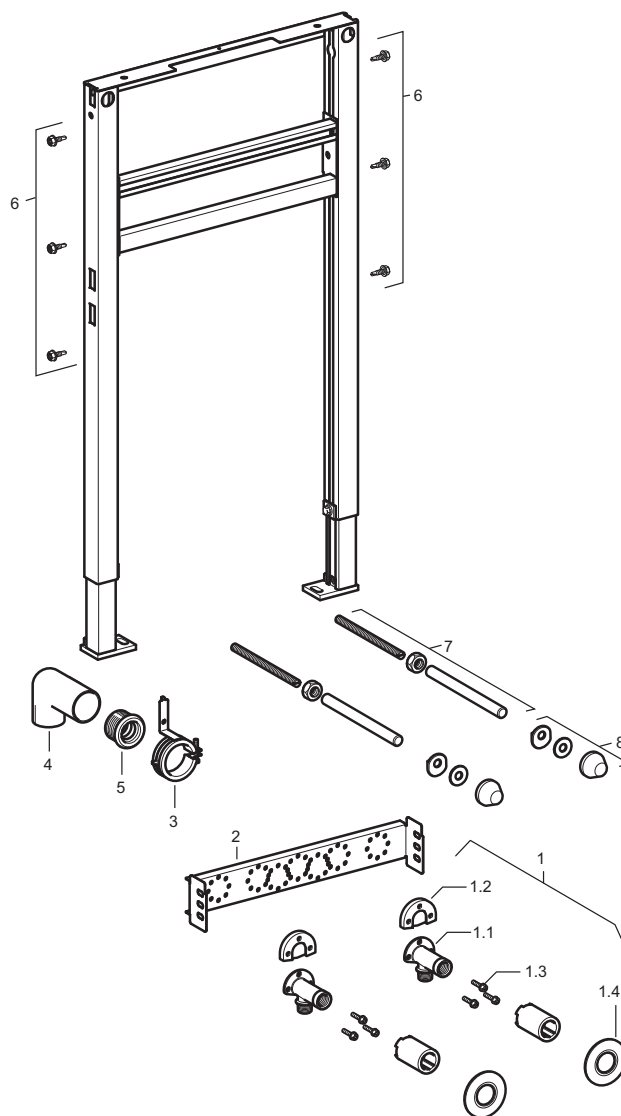
Item No.	Model No.	Description	List Price
1	465.034.00.1	Elbow supply fitting set, Gun Metal	\$33.00
1.1	602.287.00.1	Fitting body, Gun Metal	23.00
1.2	601.802.00.1	Sound insulation base, EPDM	2.00
1.3	216.197.00.1	Mounting Screws for water supply, self tapping	2.00
1.4	240.243.00.1	Seal washer, EPDM	3.00
2	241.803.00.1	Crossbar for deck-mounted faucet	14.00
3	241.805.00.1	Pipe bracket for outlet bend	12.00
4	241.067.16.1	Outlet bend – 90 degrees	12.00

Item No.	Model No.	Description	List Price
5	152.682.00.1	Outlet Seal, EPDM Ø50/32 mm	3.00
5	152.796.00.1	Outlet Seal, EPDM Ø50/40 mm	3.00
6	111.892.00.1	Frame mounting screws for steel stud construction, Galvanized; self-tapping	3.00
7	241.059.00.1	Threaded rod for wall-mounted washbasin	14.00
8	217.713.46.1	Cover caps with leveling washer, Plastic, Matte chrome	5.00

111.434.00.1

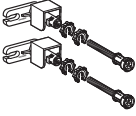
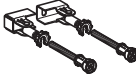
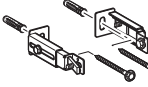
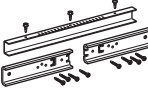




111.490.00.1




## Optional Parts for Wall-Hung Lavatory Carriers 111.434.00.1 and 111.490.00.1

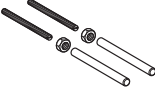
### Mounting Accessories for Carrier Frames

Description	Model No.	List Price
 <p>Frame to wall anchoring for 5.12"–7.87" (13–20 cm) thick unfinished pre-wall</p>	111.815.00.1	\$30.00
 <p>Frame to wall anchoring for 5.12"–7.87" (13–20 cm) thick unfinished pre-wall corner installations</p>	111.835.00.1	30.00
 <p>Frame to wall anchoring where foot installations into floor are not allowed for 5.12"–7.87" (13–20 cm) thick unfinished pre-wall</p>	111.867.00.1	61.00
 <p>Fastening set for sinks with 14.9"–22.8" (38–58 cm) mounting centers</p>	111.868.00.1	103.00
 <p>Frame to stud fastening set for extended stud spacing from 19.75"–25.56" (50–65 cm)</p>	111.869.00.1	30.00
 <p>Frame to wall anchoring extensions for 7.87"–15.75" (20–40 cm) thick unfinished pre-wall</p>	111.887.00.1	11.00

### Lavatory Connection Accessories

Description	Model No.	List Price
 <p>Cover caps with leveling washer, Plastic, Alpine white</p>	217.713.11.1	\$5.00

### Required Accessories for 3.54"–7.09" (9–18 cm) Finished Wall Thickness

 <p>Mounting rod extension set for wall-hung lavatory, M10</p>	242.233.00.1	20.00
--	--------------	-------